

# STEIN-diaphragm-wall-grab SK 80



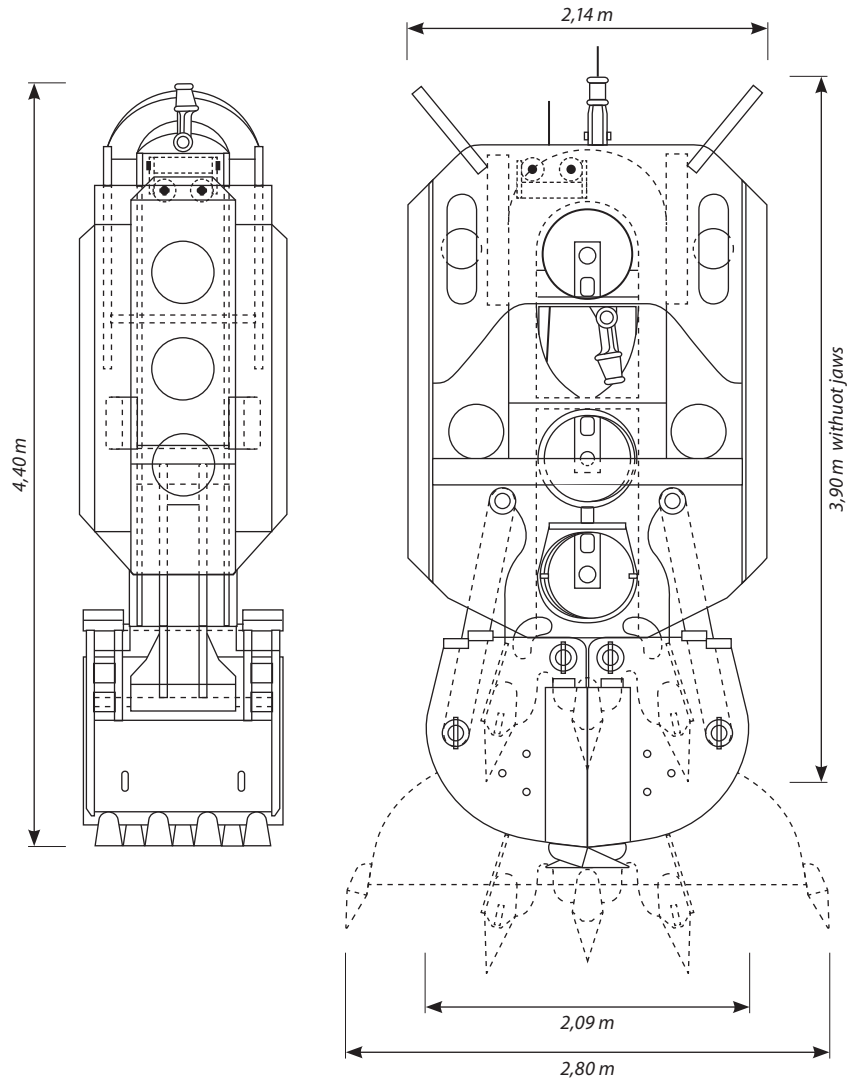
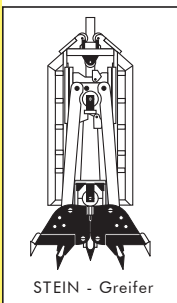
for the wall thickness 800 / 1000 / 1200 / 1500 mm

with wire-rope-pulleys  $\varnothing$  500 mm for wire-rope  $\varnothing$  24 - 26 mm  
two double sheaves and one single sheave

The diaphragm wall grab is low in maintenance and is subjected to the safety regulation VCB 9a for handling of loads.

The cutting edges of the grab jaws are made of Hardox steel 450 and were especially hardened. Easy mounting of the grab jaws for excavation widths 800/1000/1200/1500 mm. All the grab teeth as well as all the wire rope pulleys are quickly exchangeable due to their construction as ready to use components.

Paintwork: aluminium coloured rust protection coating.



## MFS Maschinenfabrik GmbH & Co KG

### Production

Phone + 49 (0) 4421 1434 0  
 Fax + 49 (0) 4421 3034 81  
 E-mail info@mfs-mafa.de  
 Address Langeoogstr. 13  
 26384 Wilhelmshaven | Germany

### Sale

Phone + 49 (0) 2323 9266 0  
 Fax + 49 (0) 2323 9266 25  
 E-mail kendlik@stein-ht.de  
 Address Schnittstr. 6  
 44653 Herne | Germany

grab - body [kg]	9.600			
light extension 800 - 1000 mm [kg]	400			
light extension 800 - 1200 mm [kg]	800			
light extension 800 - 1500 mm [kg]	750			
jaws opening [mm]	2800			
jaws width [mm]	800	1000	1200	1500
jaws weight [kg]	1.950	2.650	3.200	4.100
overall weights minimal [kg]	11.550	12.650	13.600	14.450
overall weights maximal [kg]	...	...	...	...

Documentation: technical specification, instruction sheet, maintenance manual, sheaving diagram, spare-parts list, safety instructions.